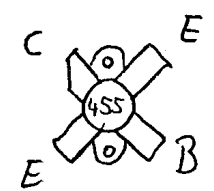
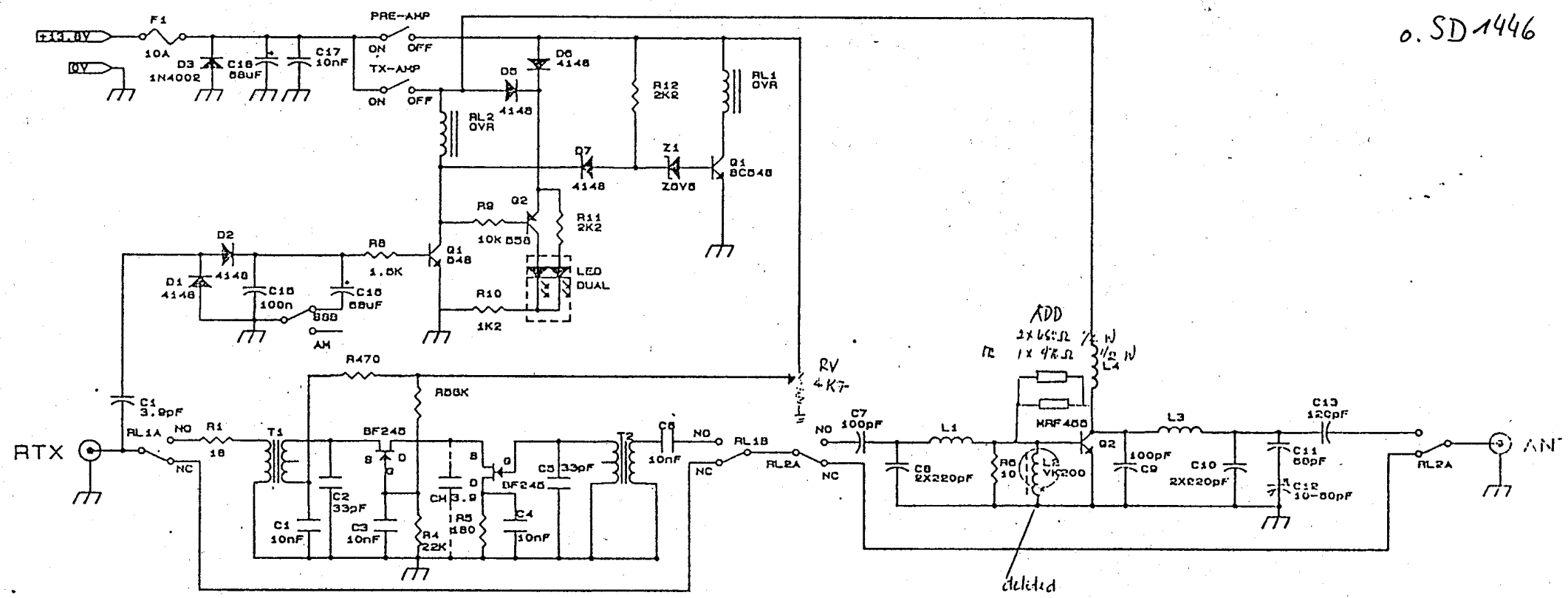


v. oben

CB-150P WITH MODIFICATION CB LINEAR AMPLIFIER AND PREAMPLIFIER



o. SD 1446



EUNO-CB PHILB INC.	
Title	CB150P
Size	Document Number
D	
Date	March 19, 1974