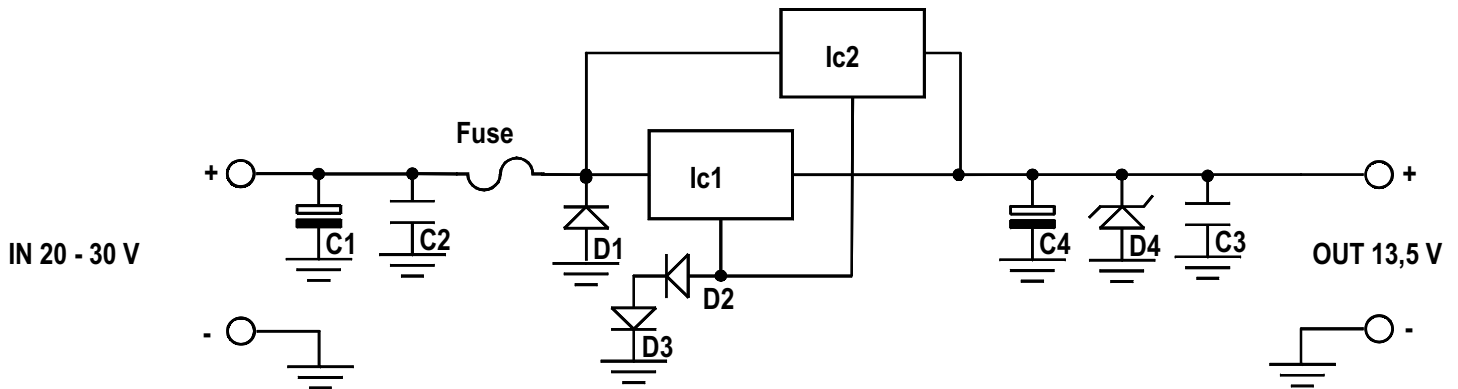


## Mod. RT 5 tension reducer

Schematic diagram

Version 1.00



### List of components

C<sub>1</sub> = 33  $\mu$ F 35 V  
C<sub>2</sub> = 10 nF 50V  
C<sub>3</sub> = 10 nF 50V  
C<sub>4</sub> = 33  $\mu$ F 35 V  
D<sub>1</sub> = 1N5400  
D<sub>2</sub> = D<sub>3</sub> = 1N4004  
D<sub>4</sub> = Zener 15 V 5 W  
IC<sub>1</sub> = IC<sub>2</sub> = 7812  
Fuse = 5 A