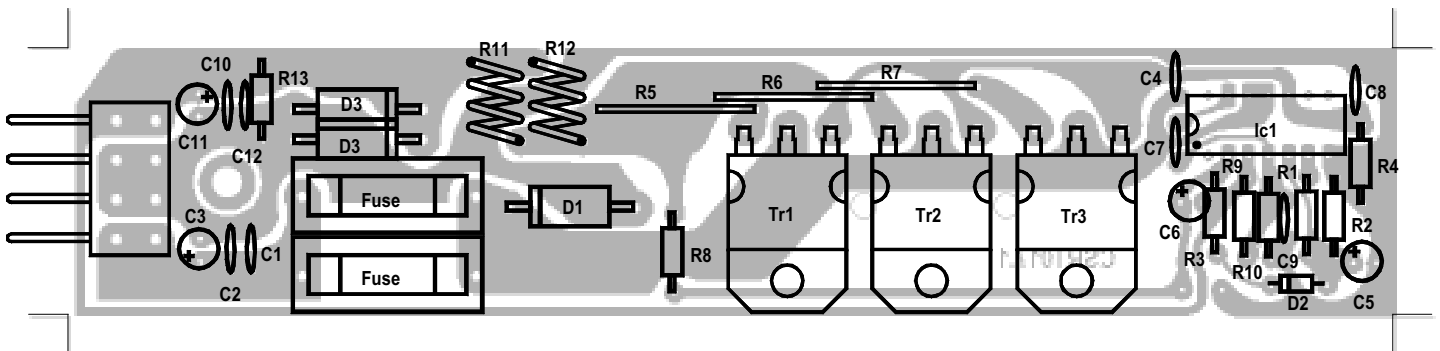
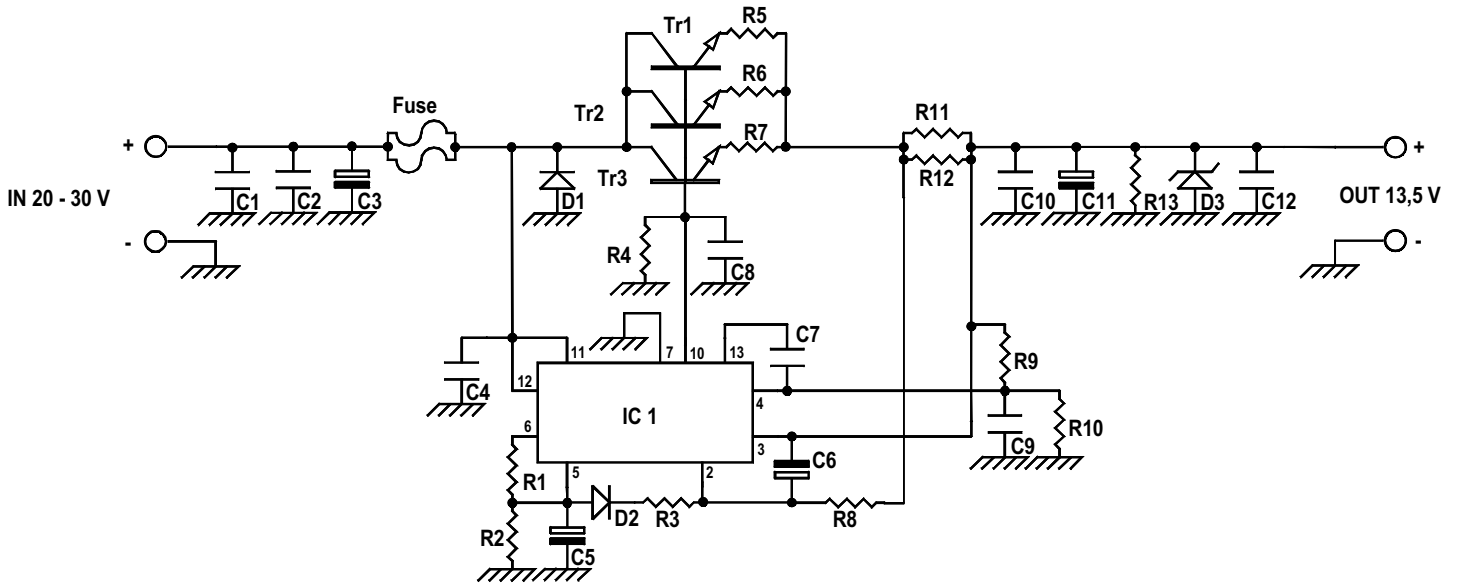


# Mod. RT 16 tension reducer

Schematic diagram

Version 3.00



**List of components**

C<sub>1</sub> = 470 pF 50 V  
C<sub>2</sub> = 100 nF 50 V  
C<sub>3</sub> = 22 μF 35 V  
C<sub>4</sub> = 100 nF 50 V  
C<sub>5</sub> = 2,2 μF 25 V  
C<sub>6</sub> = 2,2 μF 25 V  
C<sub>7</sub> = 470 pF 50 V  
C<sub>8</sub> = 100 nF 50 V  
C<sub>9</sub> = 150 pF 50 V  
C<sub>10</sub> = 100 nF 50 V  
C<sub>11</sub> = 22 μF 25 V  
C<sub>12</sub> = 470 pF 50 V  
R<sub>1</sub> = 1,2 KΩ ¼W  
R<sub>2</sub> = 3,9 KΩ ¼W  
R<sub>3</sub> = 470 Ω ¼W  
R<sub>4</sub> = 2,2 KΩ ¼W  
R<sub>5</sub> = 20 mm resistive wire 0,8 mm  
R<sub>6</sub> = 20 mm resistive wire 0,8 mm  
R<sub>7</sub> = 20 mm resistive wire 0,8 mm  
R<sub>8</sub> = 470 Ω ¼W  
R<sub>9</sub> = 82 KΩ ¼W  
R<sub>10</sub> = 56 KΩ ¼W  
R<sub>11</sub> = 5 turns ∅ 6 mm resistive wire 1 mm  
R<sub>12</sub> = 5 turns ∅ 6 mm resistive wire 1 mm  
R<sub>13</sub> = 2,2 KΩ ¼W  
D<sub>1</sub> = 1N5400  
D<sub>2</sub> = 1N4148  
D<sub>3</sub> = 2 x 1N5352  
Tr<sub>1</sub> = TIP 142  
Tr<sub>2</sub> = TIP 142  
Tr<sub>3</sub> = TIP 142  
IC<sub>1</sub> = LM 723  
Fuse = 2 x 8 A