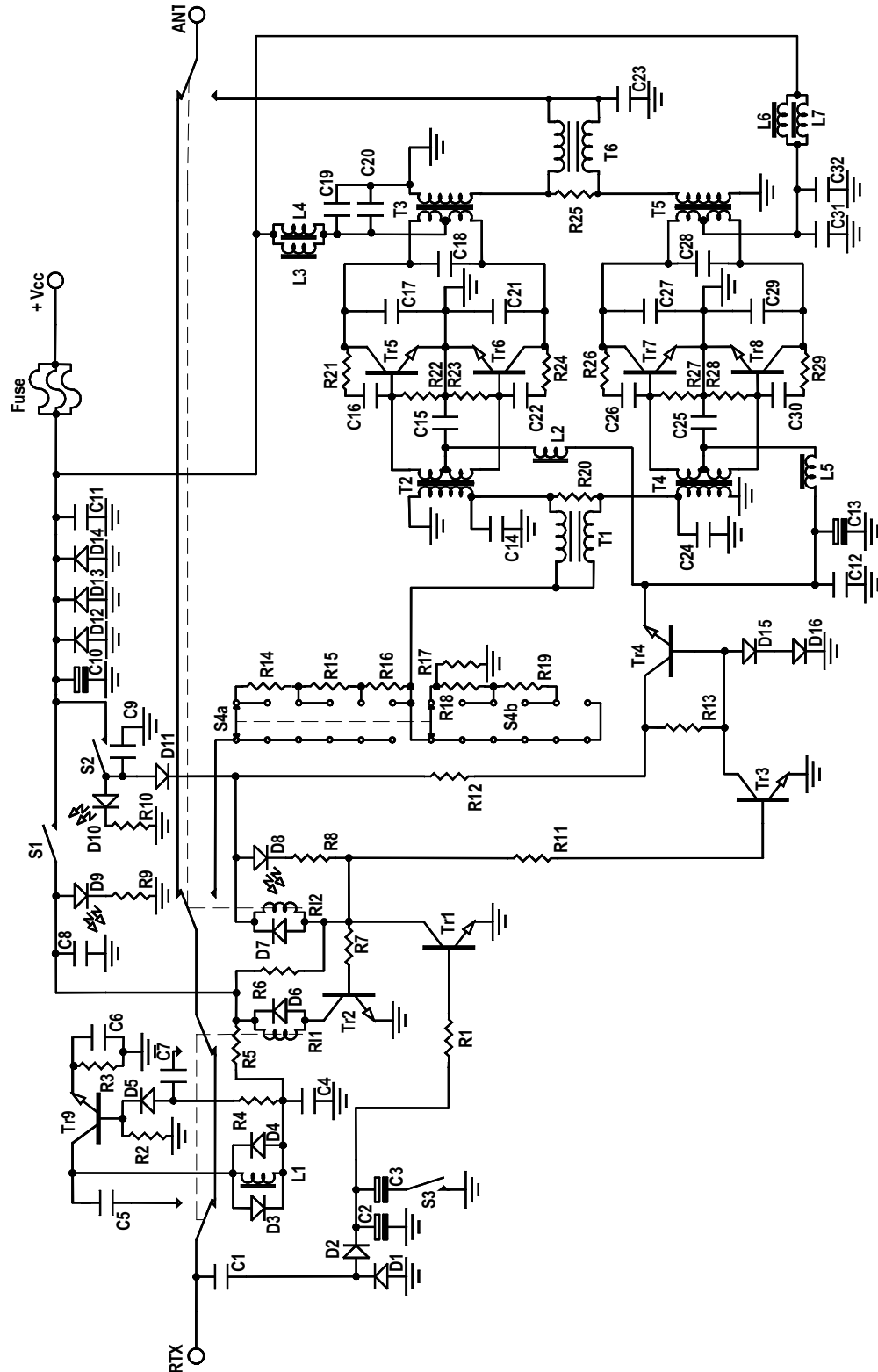
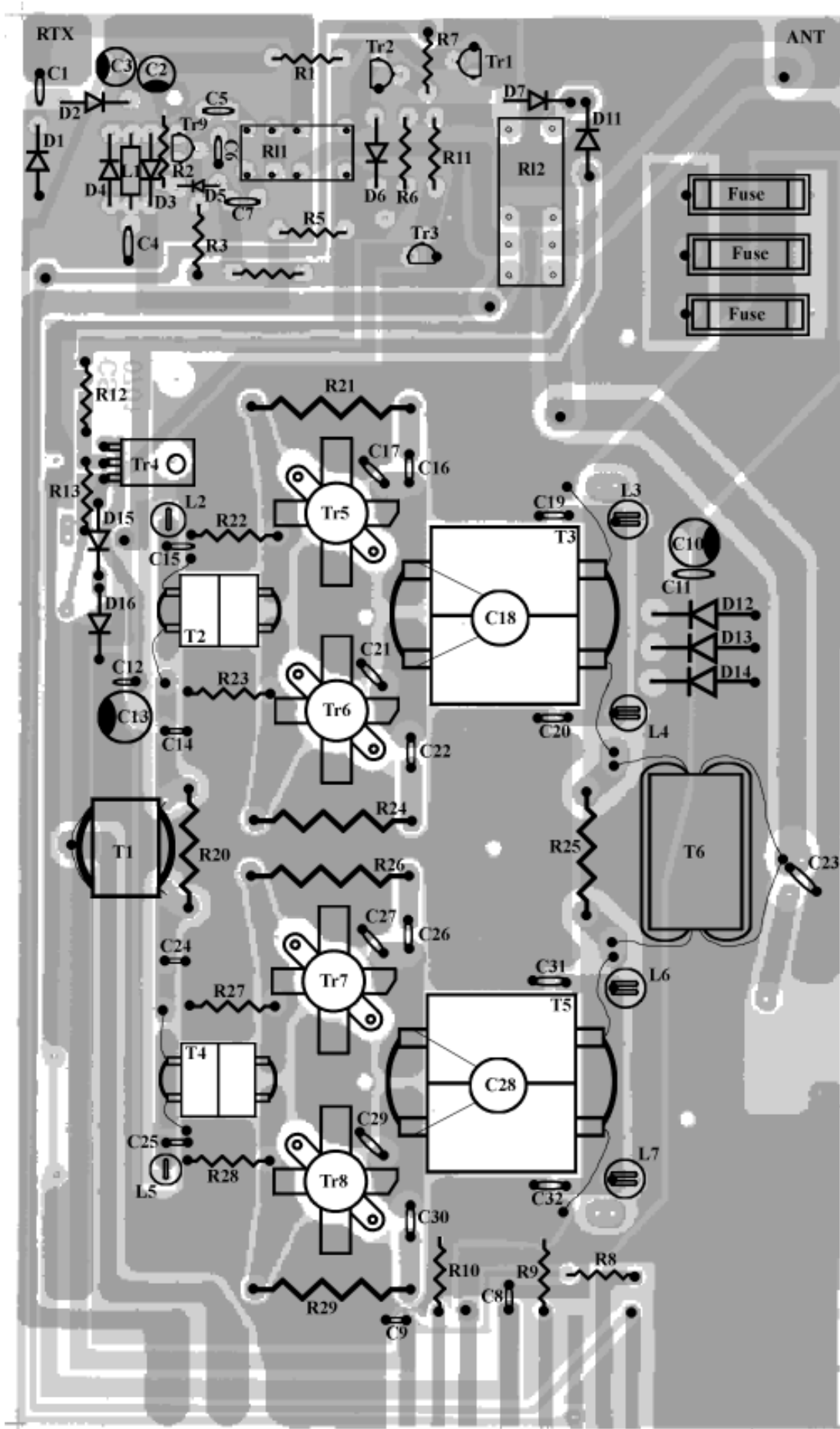


Mod. 500 linear amplifier

Schematic diagram

Version 2.00





List of components

C ₁	= 8,2 pF	50 V		R ₁₇	= 27 Ω	2W
C ₂	= 4,7 μF	16 V		R ₁₈	= 47 Ω	2W
C ₃	= 33 μF	16 V		R ₁₉	= 100 Ω	2W
C ₄	= 10 nF	50 V		R ₂₀	= 100 Ω	2W
C ₅	= 150 pF	50 V	N750	R ₂₁	= 68 Ω	2W
C ₆	= 470 pF	50 V	N750	R ₂₂	= 10 Ω	½W
C ₇	= 56 pF	50 V	N750	R ₂₃	= 10 Ω	½W
C ₈	= 10 nF	50 V		R ₂₄	= 68 Ω	2W
C ₉	= 10 nF	50 V		R ₂₅	= 100 Ω	2W
C ₁₀	= 470 μF	16 V		R ₂₆	= 68 Ω	2W
C ₁₁	= 100 nF	50 V		R ₂₇	= 10 Ω	½W
C ₁₂	= 10 nF	50 V		R ₂₈	= 10 Ω	½W
C ₁₃	= 470 μF	16 V		R ₂₉	= 68 Ω	2W
C ₁₄	= 150 pF	50 V	N750	D ₁ = D ₂ = D ₃ = D ₄ = D ₅	= 1N4148	
C ₁₅	= 10 nF	50 V		D ₆ = D ₇ = D ₁₁ = D ₁₅ = D ₁₆	= 1N4004	
C ₁₆	= 47 nF	50 V		D ₁₂ = D ₁₃ = D ₁₄	= 1N5400	
C ₁₇	= 180 pF	500 V	N750	D ₈	= Led red	
C ₁₈	= 270+150 pF	500 V	N750	D ₉	= Led yellow	
C ₁₉	= 100 nF	50 V		D ₁₀	= Led green	
C ₂₀	= 100 nF	50 V		Tr ₁ = Tr ₂ = Tr ₃	= BC 547	
C ₂₁	= 180 pF	500 V	N750	Tr ₄	= BD 179	
C ₂₂	= 47 nF	50 V		Tr ₅ = Tr ₆ = Tr ₇ = Tr ₈	= SD 1446	
C ₂₃	= 68 pF	500 V	N750	Tr ₉	= BF 199	
C ₂₄	= 150 pF	50 V	N750	L ₁	= 10 μH	
C ₂₅	= 10 nF	50 V		L ₂ = L ₅	= VK 200 1 wire	
C ₂₆	= 47 nF	50 V		L ₃ = L ₄ = L ₆ = L ₇	= VK 200 2 wires	
C ₂₇	= 180 pF	500 V	N750	RI ₁	= Relè 12 V 3022	
C ₂₈	= 270+150 pF	500 V	N750	RI ₂	= Relè 12 V 4052	
C ₂₉	= 180 pF	500 V	N750	Fuse	= 3x12 A	
C ₃₀	= 47 nF	50 V		S ₁	= Switch 3A (Pre ON - OFF)	
C ₃₁	= 100 nF	50 V		S ₂	= Switch 3A (ON - OFF)	
C ₃₂	= 100 nF	50 V		S ₃	= Switch 3A (AM - SSB)	
R ₁	= 2,2 KΩ	¼W		S ₄	= Switch 6 positions	
R ₂	= 2,2 KΩ	¼W		T ₁ = T ₂ = T ₄	= Input transformers	
R ₃	= 100 Ω	¼W		T ₃ = T ₅ = T ₆	= Output transformers	
R ₄	= 12 KΩ	¼W				
R ₅	= 100 Ω	¼W				
R ₆	= 12 KΩ	¼W				
R ₇	= 12 KΩ	¼W				
R ₈	= 1,0 KΩ	¼W				
R ₉	= 1,0 KΩ	¼W				
R ₁₀	= 1,0 KΩ	¼W				
R ₁₁	= 12 KΩ	¼W				
R ₁₂	= 1,0 Ω	½W				
R ₁₃	= 680 Ω	½W				
R ₁₄	= 10 Ω	2W				
R ₁₅	= 10 Ω	2W				
R ₁₆	= 10 Ω	2W				