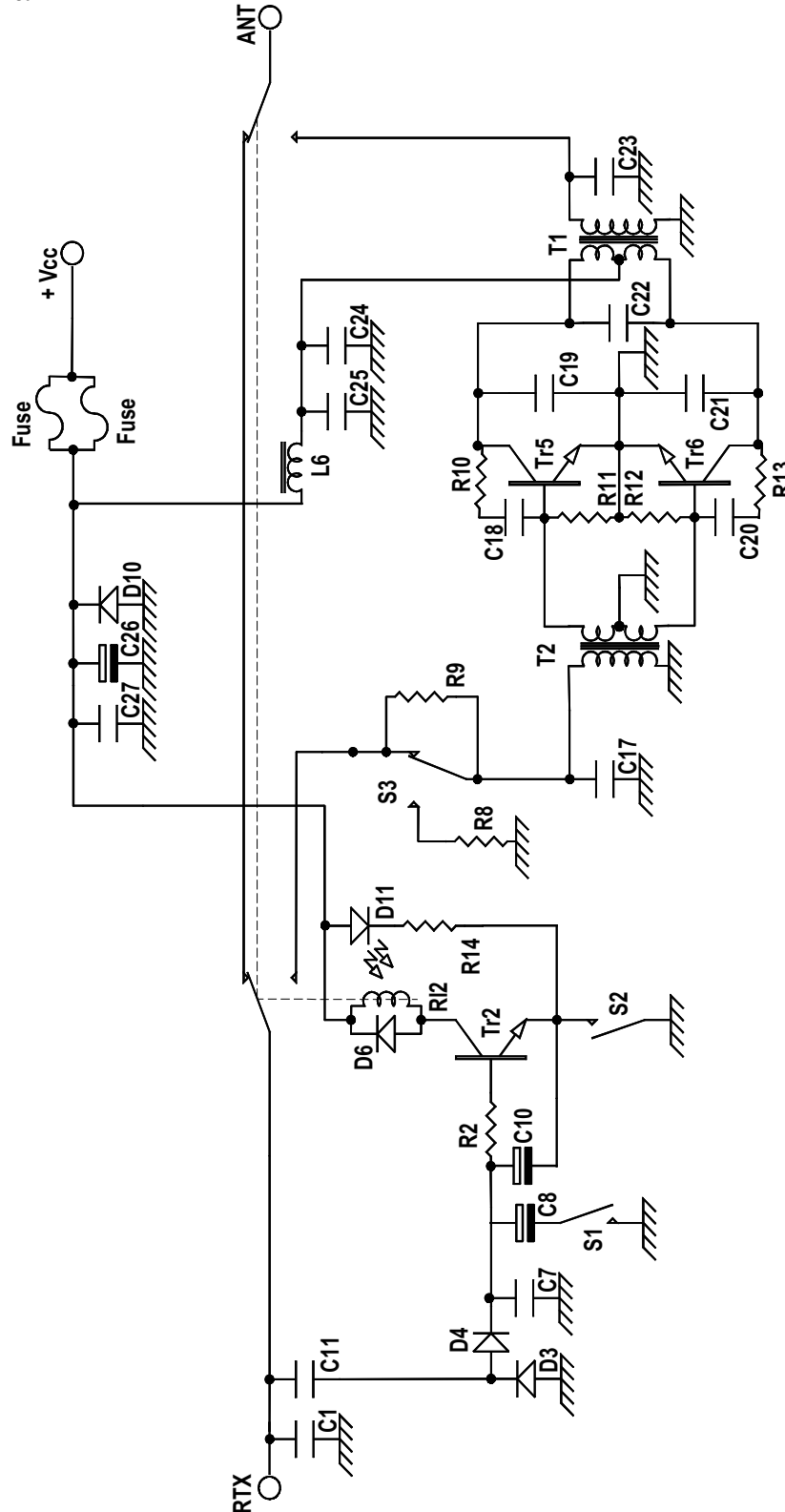
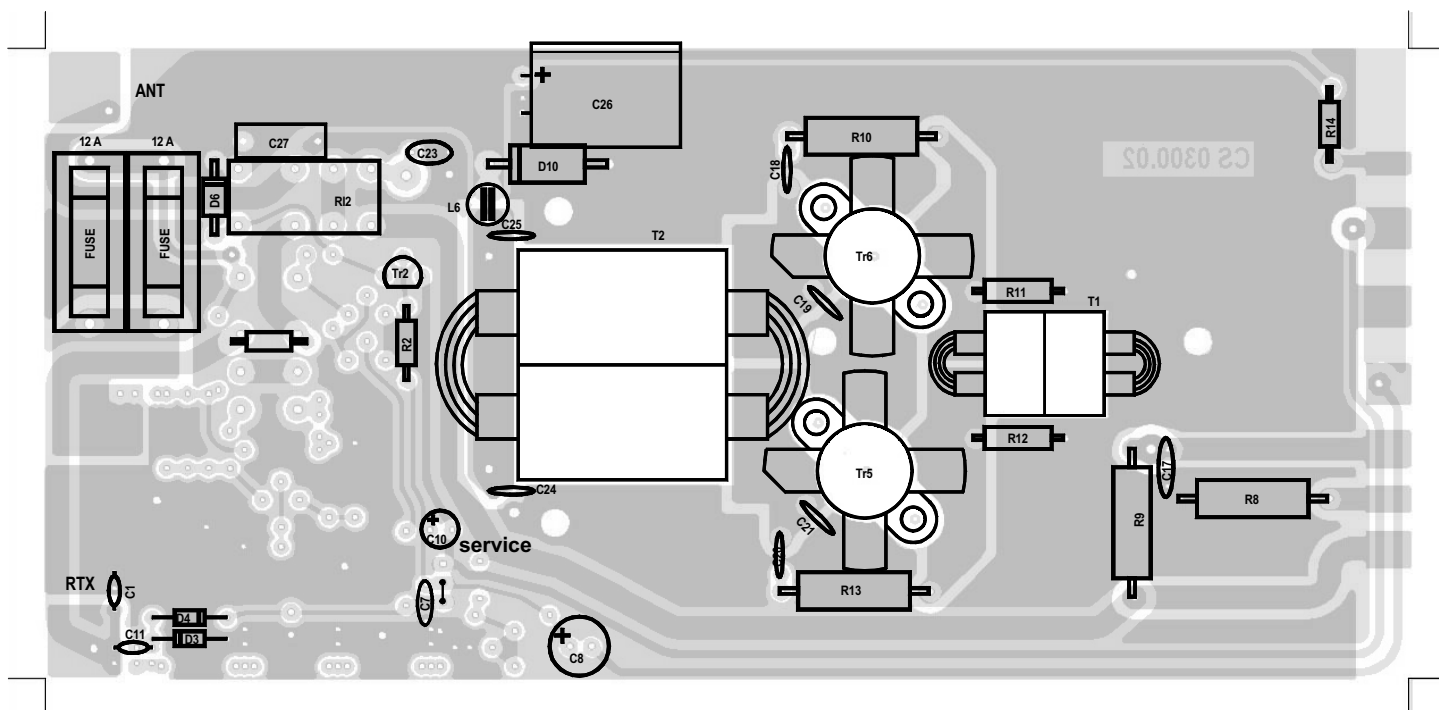


# Mod. KL 300 linear amplifier

Schematic diagram

Version 3.00





## List of components

C 1	= 33 pF	50 V	N750	Tr2	= BC 547
C 7	= 10 nF	50 V		Tr5	= SD 1446
C 8	= 33 $\mu$ F	16 V		Tr6	= SD 1446
C 10	= 10 $\mu$ F	16 V		L6	= VK 200 2 Wires
C 11	= 8,2 pF	50 V	N750	T 1	= Output Transformer
C 17	= 150 pF	50 V	N750	T 2	= Input Transformer
C 18	= 47 nF	50 V		R12	= Relè 12 V 3022
C 19	= 180 pF	500 V	N750	Fuse	= 2 x 12 A
C 20	= 47 nF	50 V		S 1	= Switch 3A (AM - SSB)
C 21	= 180 pF	500 V	N750	S 2	= Switch 3A (ON - OFF)
C 22	= 2 x 220 + 270 pF	500 V	N750	S 3	= Switch 3A (HI - LOW)
C 23	= 47 pF	1000 V	N750		
C 24	= 100 nF	50 V			
C 25	= 100 nF	50 V			
C 26	= 470 $\mu$ F	16 V			
C 27	= 220 nF	100 V	Polyester		
R 2	= 2,2 K $\Omega$	$\frac{1}{4}$ W			
R 8	= 180 $\Omega$	2W			
R 9	= 27 $\Omega$	2W			
R 10	= 68 $\Omega$	2W			
R 11	= 10 $\Omega$	$\frac{1}{2}$ W			
R 12	= 10 $\Omega$	$\frac{1}{2}$ W			
R 13	= 68 $\Omega$	2W			
D 3	= 1N4148				
D 4	= 1N4148				
D 6	= 1N4004				
D 10	= 1N5400				