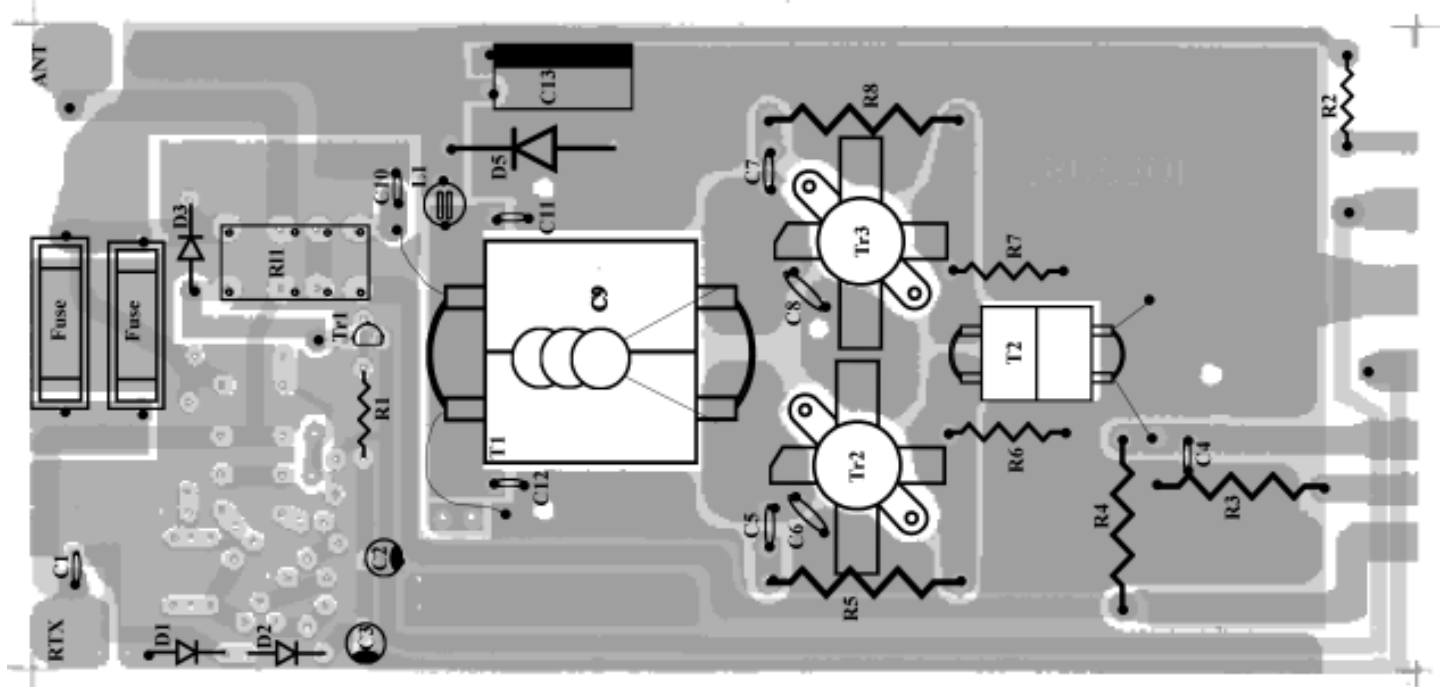
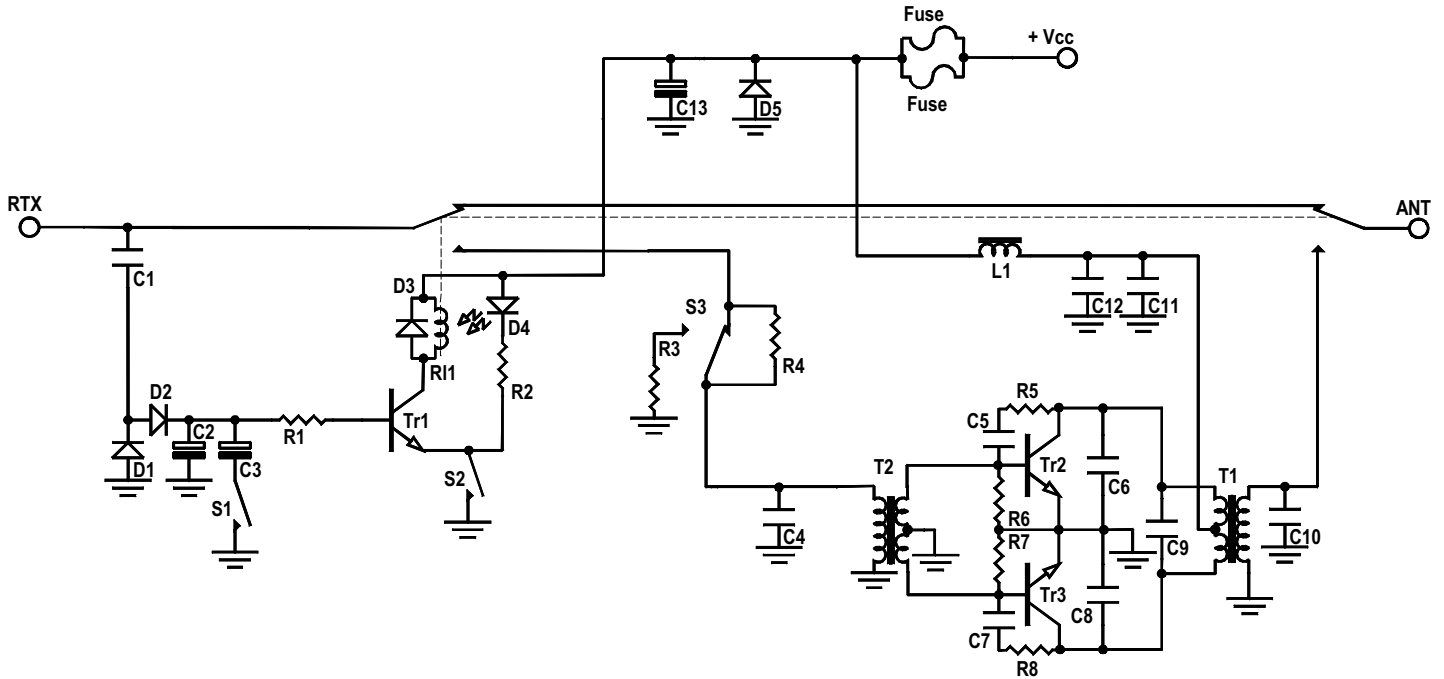


Mod. 300 linear amplifier

Schematic diagram

Version 2.00



List of components

C ₁	= 8,2 pF	50 V	N750	
C ₂	= 4,7 μF	16 V		
C ₃	= 33 μF	16 V		
C ₄	= 150 pF	50 V	N750	
C ₅	= 47 nF	50 V		
C ₆	= 180 pF	500 V	N750	
C ₇	= 47 nF	50 V		
C ₈	= 180 pF	500 V	N750	
C ₉	= 2 x 220 +270 pF	500 V	N750	
C ₁₀	= 47 pF	500 V	N750	
C ₁₁	= 100 nF	50 V		
C ₁₂	= 100 nF	50 V		
C ₁₃	= 470 μF	16 V		
R ₁	= 2,2 KΩ	¼W		
R ₂	= 1,0 KΩ	¼W		
R ₃	= 180 Ω	2W		
R ₄	= 27 Ω	2W		
R ₅	= 68 Ω	2W		
R ₆	= 10 Ω	½W		
R ₇	= 10 Ω	½W		
R ₈	= 68 Ω	2W		
D ₁ = D ₂	= 1N4148			
D ₃	= 1N4004			
D ₄	= LED			
D ₅	= 1N5400			
Tr ₁	= BC 547			
Tr ₂ = Tr ₃	= SD 1447			
L ₁	= VK 200 2 wires			
RI ₁	= Relè 12 V 3022			
Fuse	= 2x12A			
S ₁	= Switch 3A (AM SSB)			
S ₂	= Switch 3A (ON OFF)			
S ₃	= Switch 3A (HI LOW)			
T ₁	= Output transformer			
T ₂	= Input transformer			